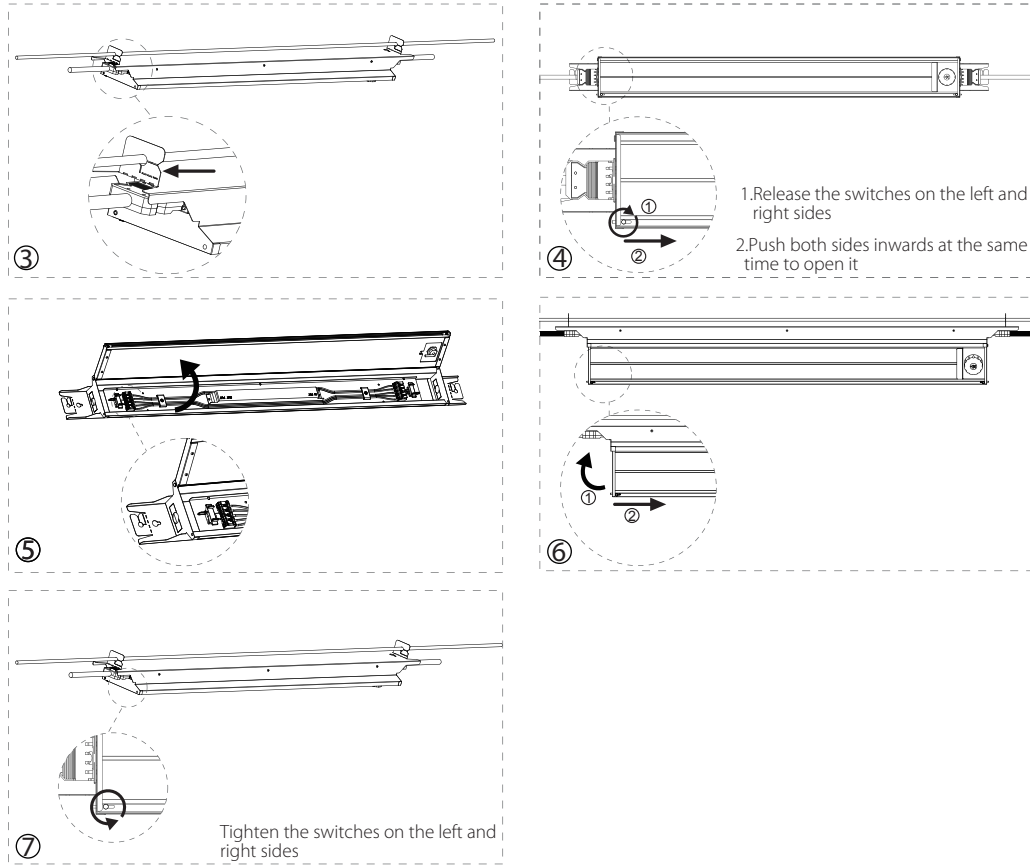






# LED Industrial Line Luminaire Manual



■ Please Note: All the operations must be in the condition of power off

■  The luminaires are intended for indoor use. If you don't understand anything, please consult the sales staff.

## 4. Accessory

ACCESSORIES	IMAGE	DESIGNNATION	QUANTITY
Standard		Screw	2PCS
Standard		Plastic expansion screw	2PCS
Standard		Gasket	2PCS

## Matters needing attention

Before installing the lighting fixtures, please read this instruction manual carefully.

The lighting fixtures should be installed, connected and tested by a certified installer based on the local regulations.

Lamps should always be installed or replaced with care.

Please check the local voltage in accordance with the product requirements before using the product.

Relamping only can be done when the power is off and the lamp is completely cooled down.

When a lamp is to be cleaned, make the power off and let it cool down completely. Clean the fixture with a soft cloth and a standard PH neutral detergent. Stainless steel finishing should be maintained regularly.

Misuse of, or changes to the fixture shall nullify the guarantee.

Don't cover the fixtures with flammable materials.

Exclusively replaced by the manufacturer or his service agent or the similar qualified person in order to avoid a hazard.

## Temperature Characteristics T-ambient 25°C

### Temperature

Operating -20~+40°C

Storage -40~+85°C

## Electrical Characteristics

### Input Voltage:

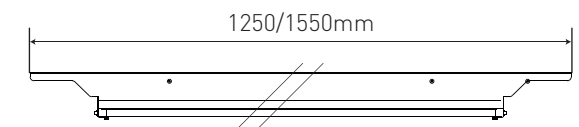
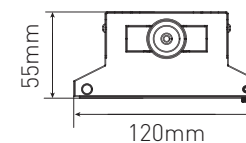
US: AC100-277V 50/60Hz

EU: AC220-240V 50/60Hz

PF: ≥0.90 THD < 20%

Power Efficiency: ≥0.92

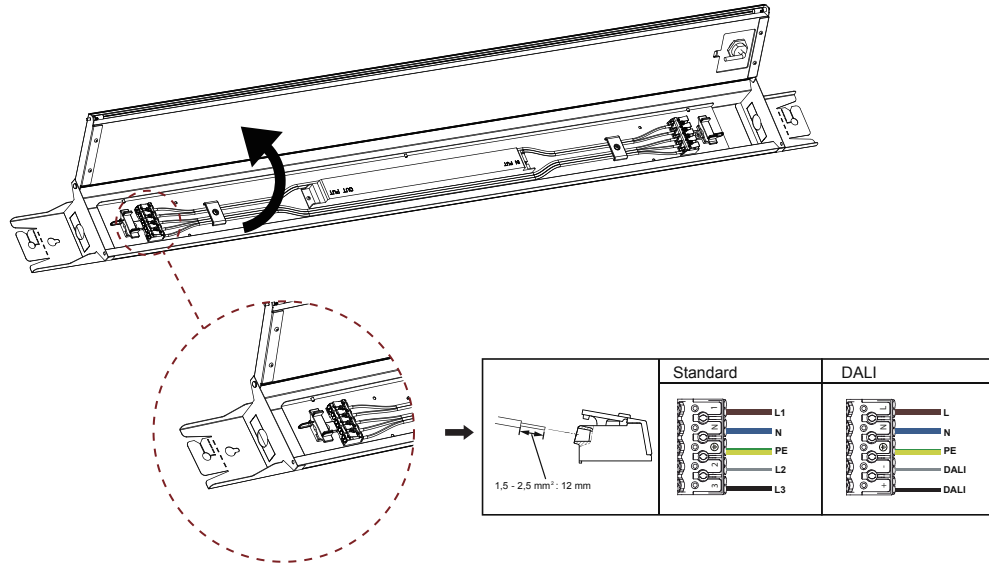
## 1. Product Dimension



## 2.Operation and connection

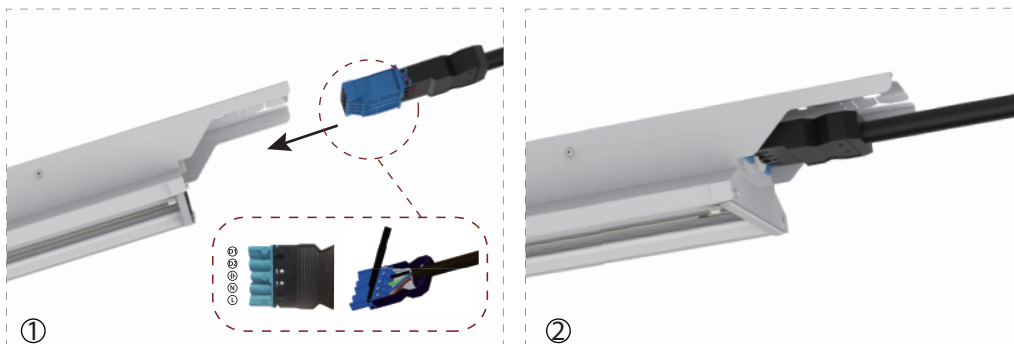
### Option 1

5 pole push-in terminal block through-wiring



### Option 2

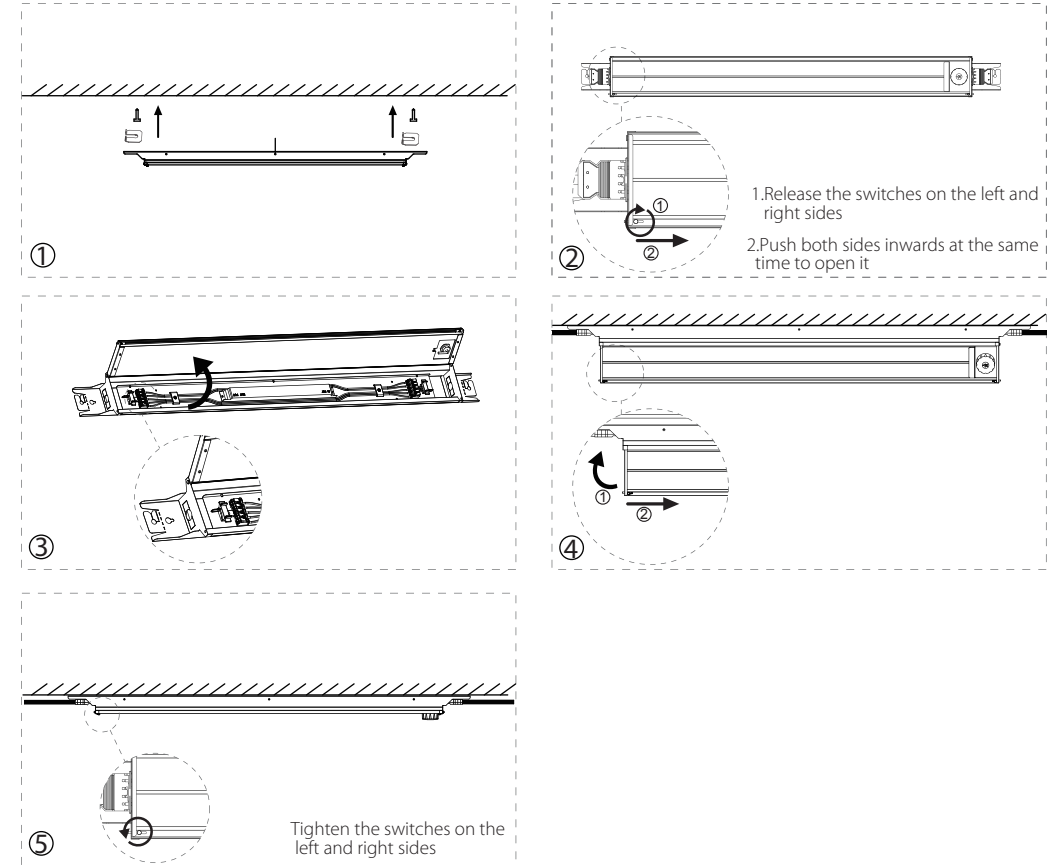
Wieland plug (available on request)



## 3.Installation

Mounted directly to ceiling or on horizontal wire with diameter from 4 to 10 mm. Suspension hooks are integrated in the end caps.

### Surface installation



### Hook installation

